

CHRIS HERBERT PORTFOLIO



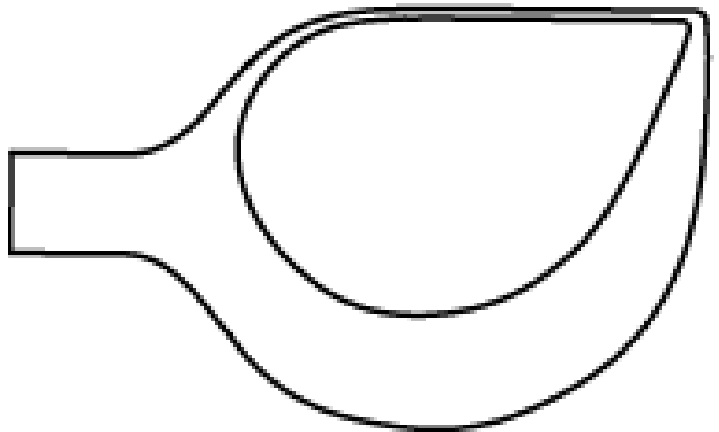
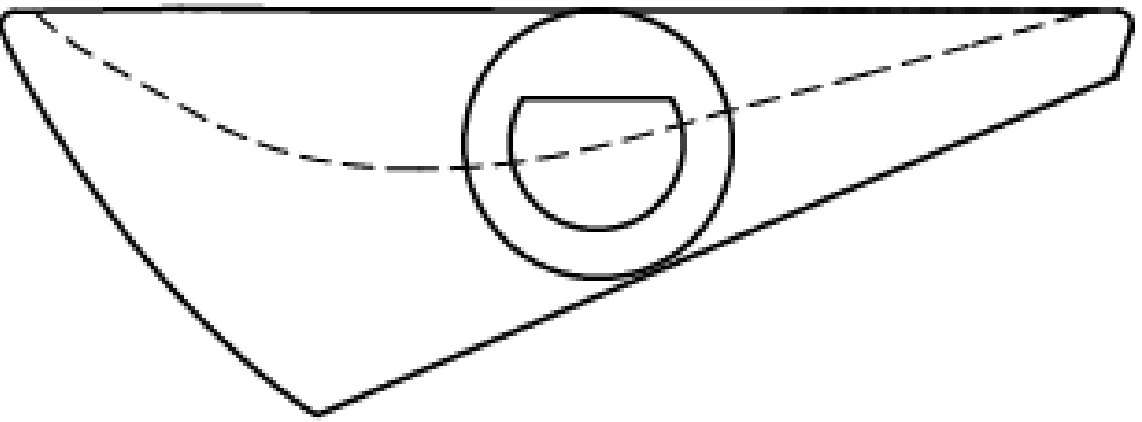
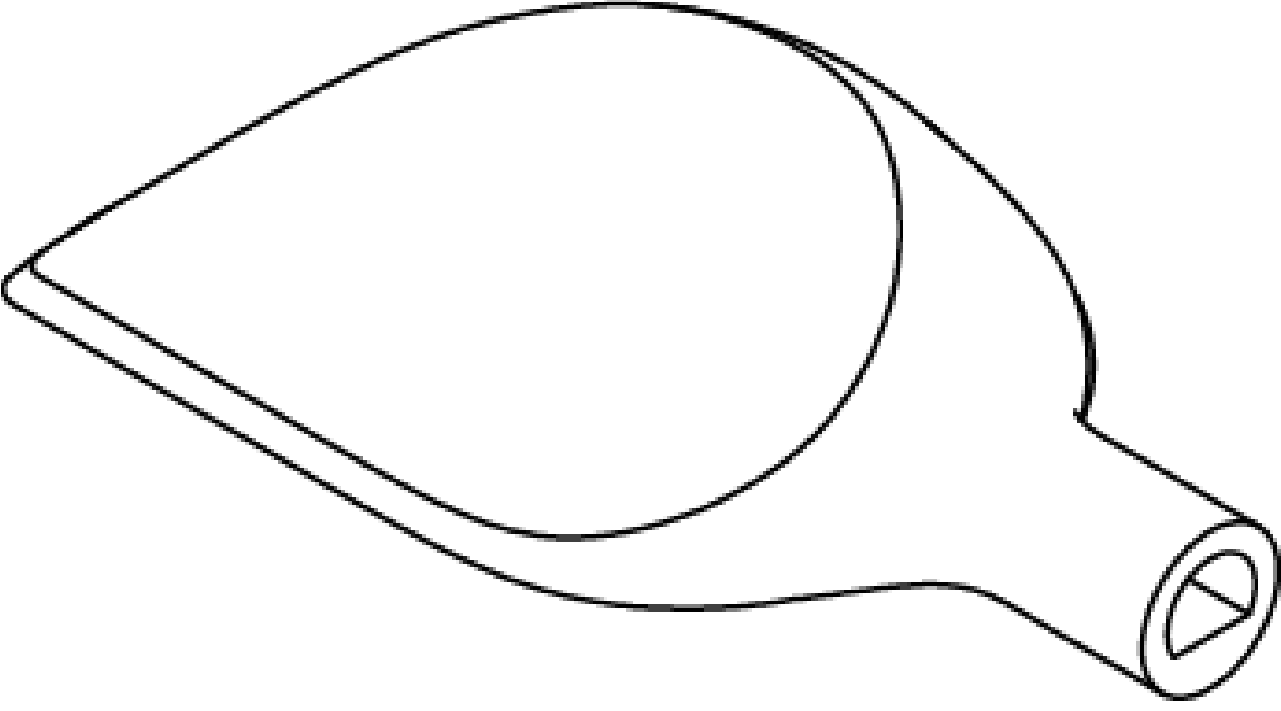
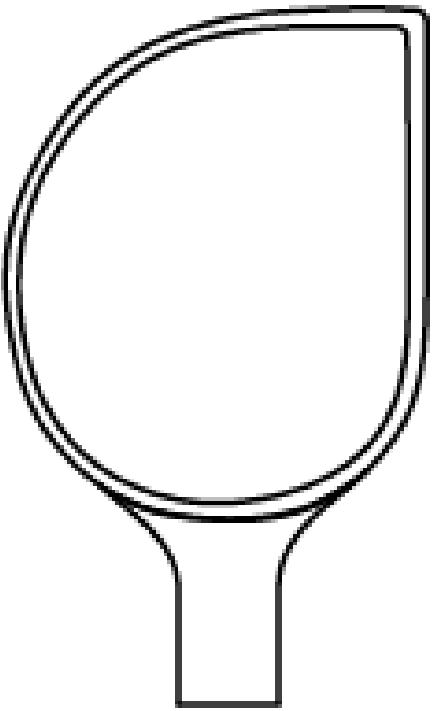
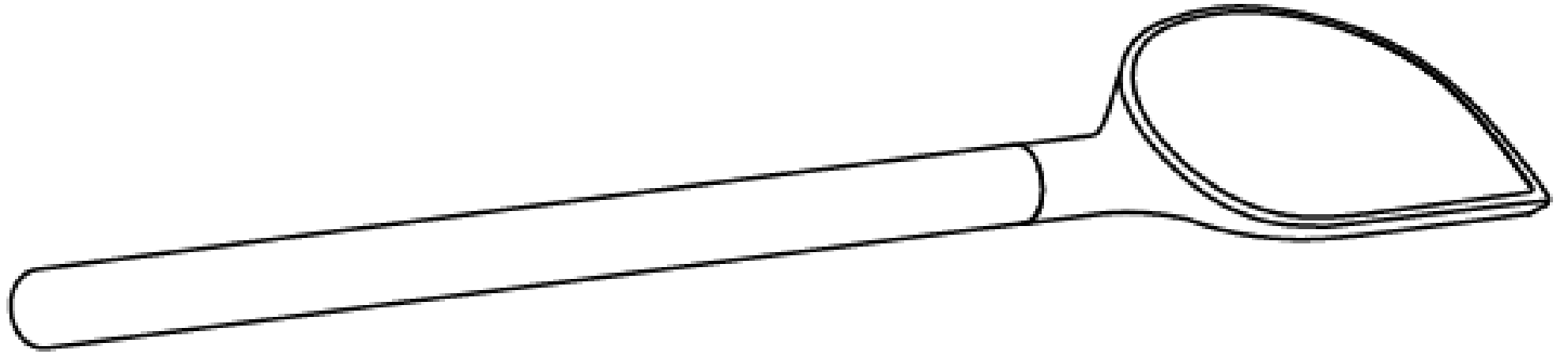
PBSPOON



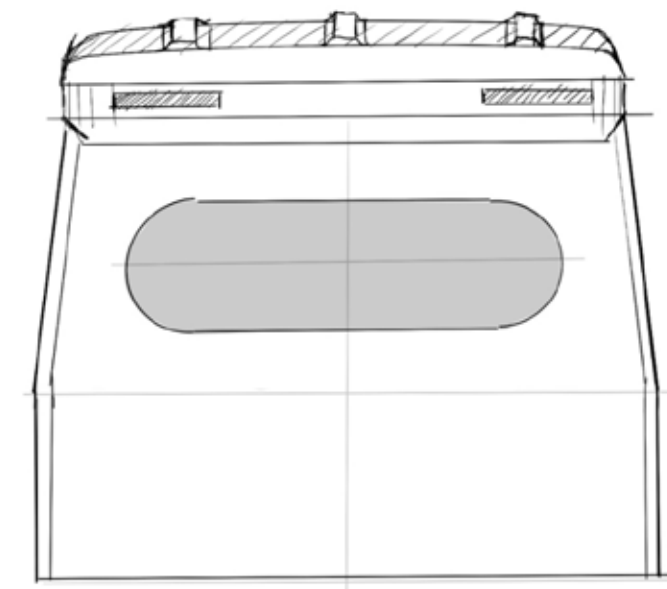
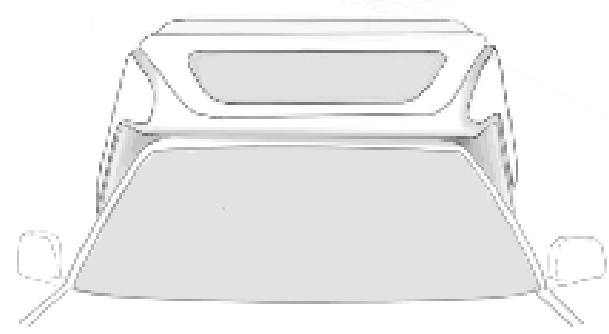
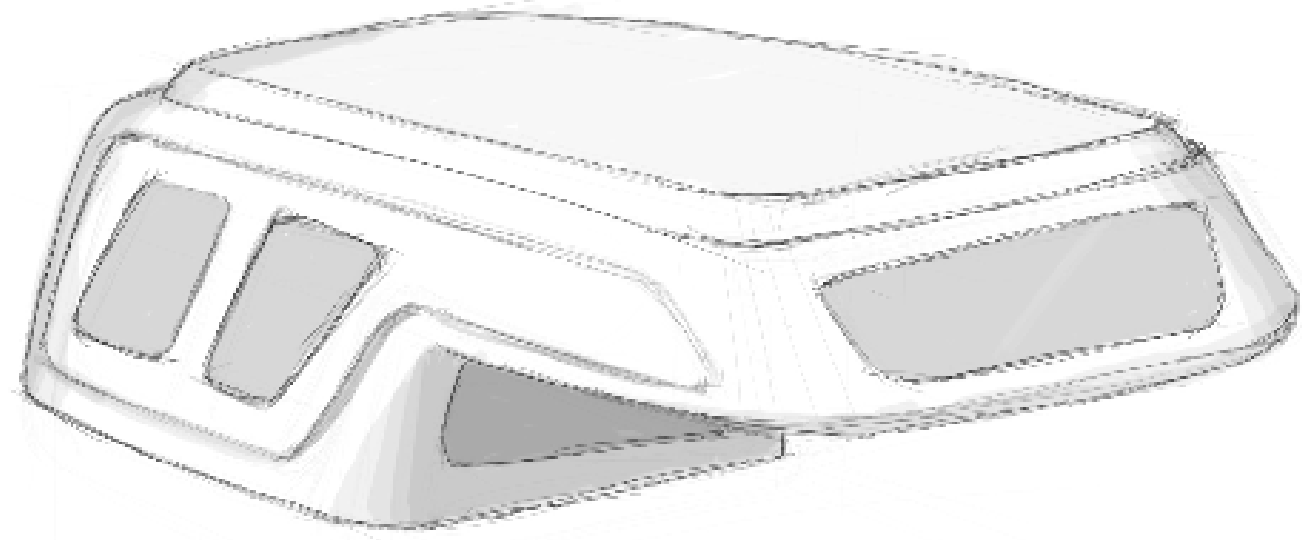
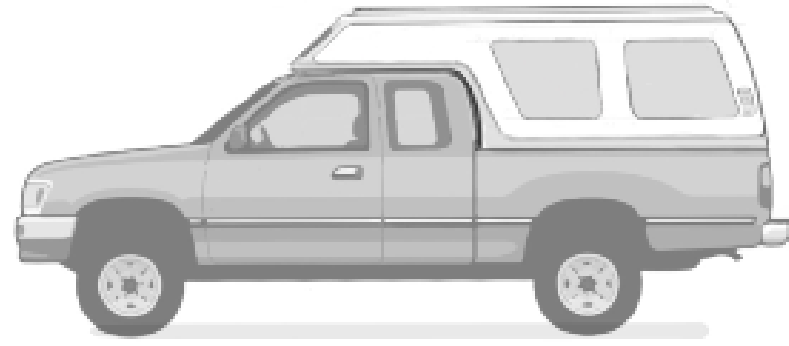


FREE 
Jif® PBspoon™

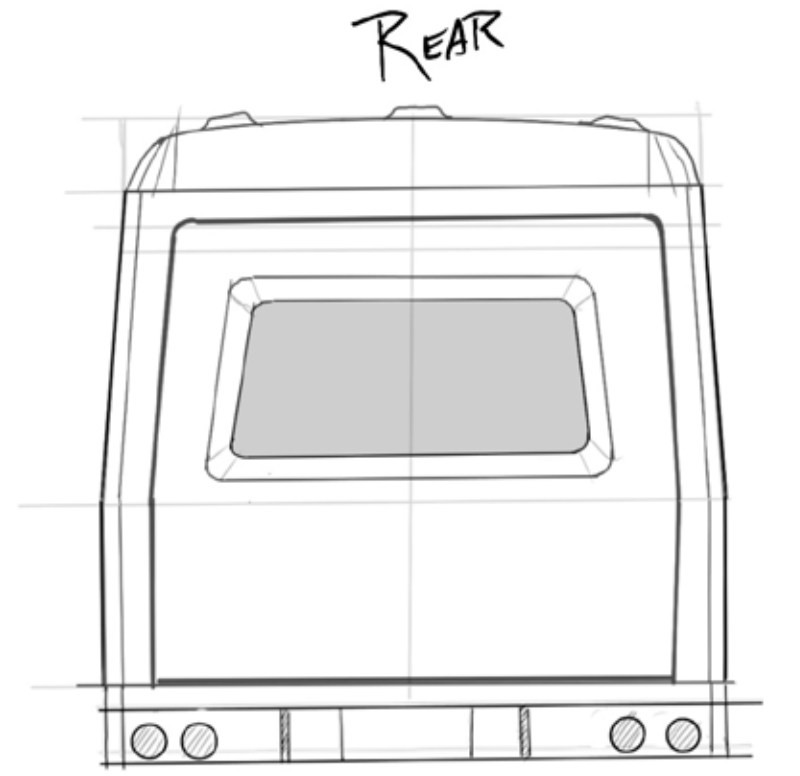




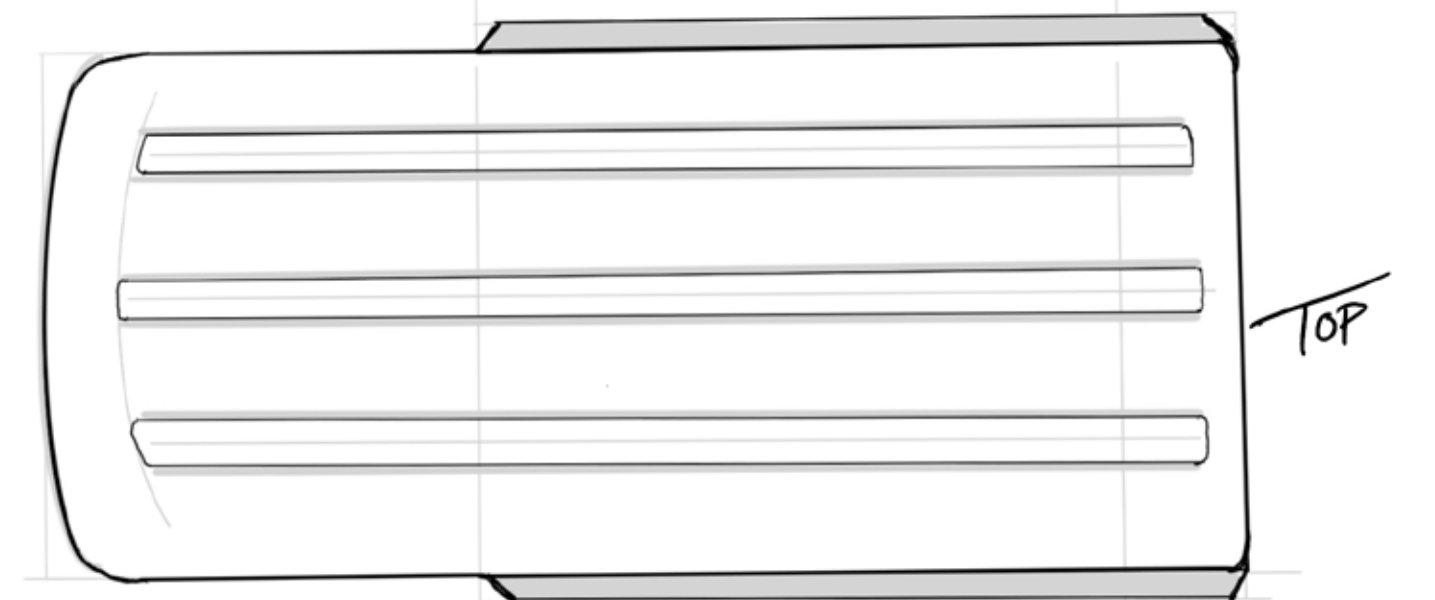
SKETCHING



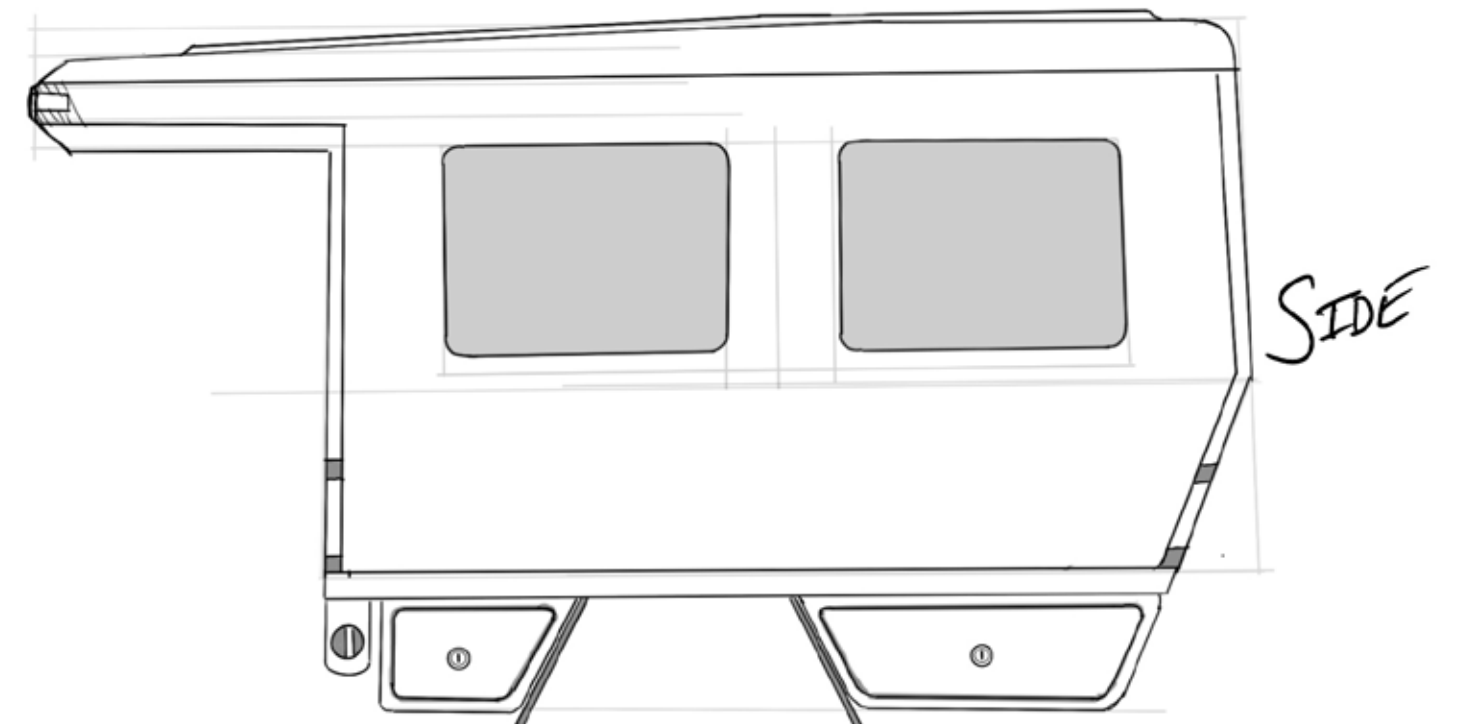
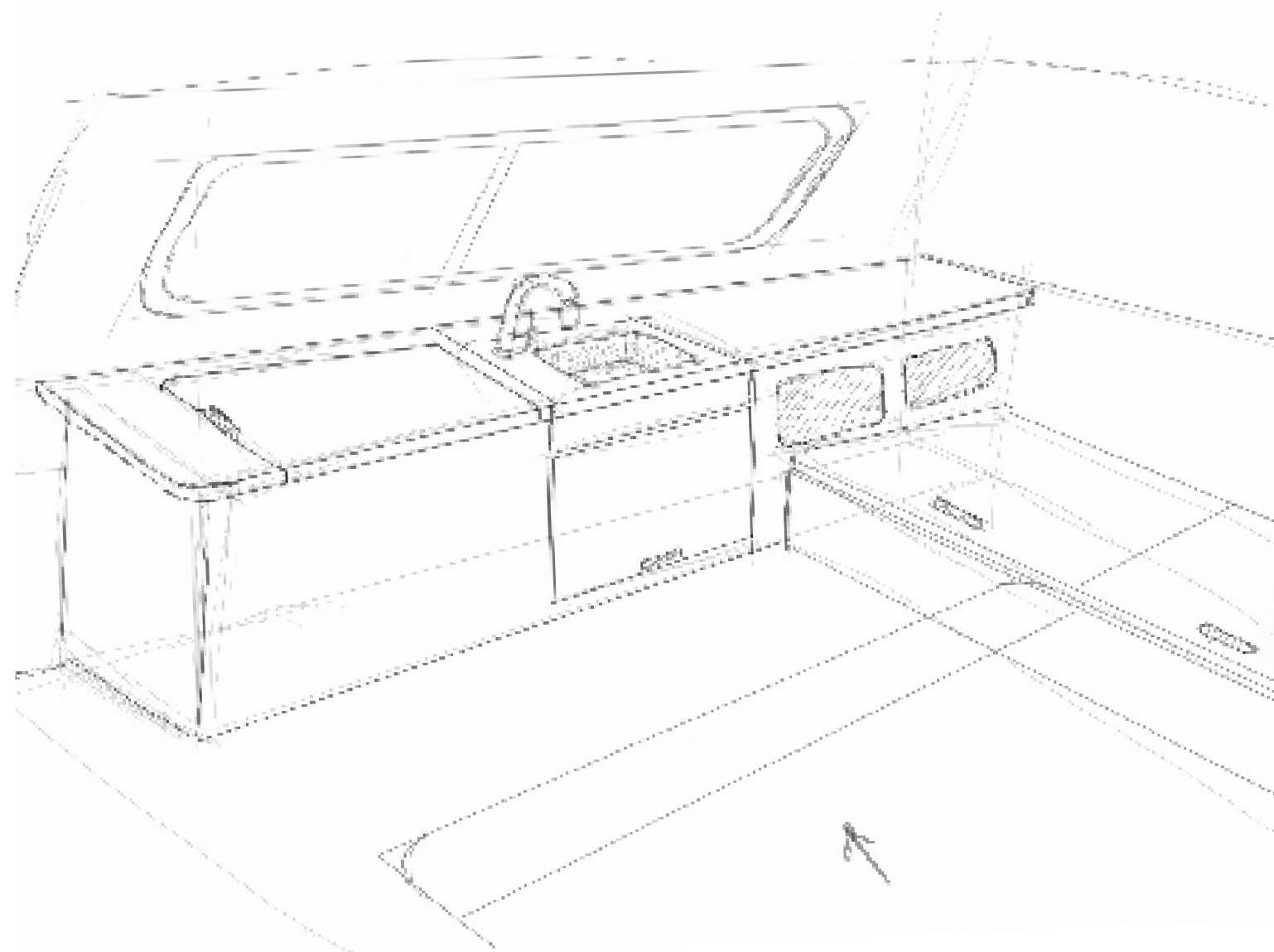
FRONT



REAR

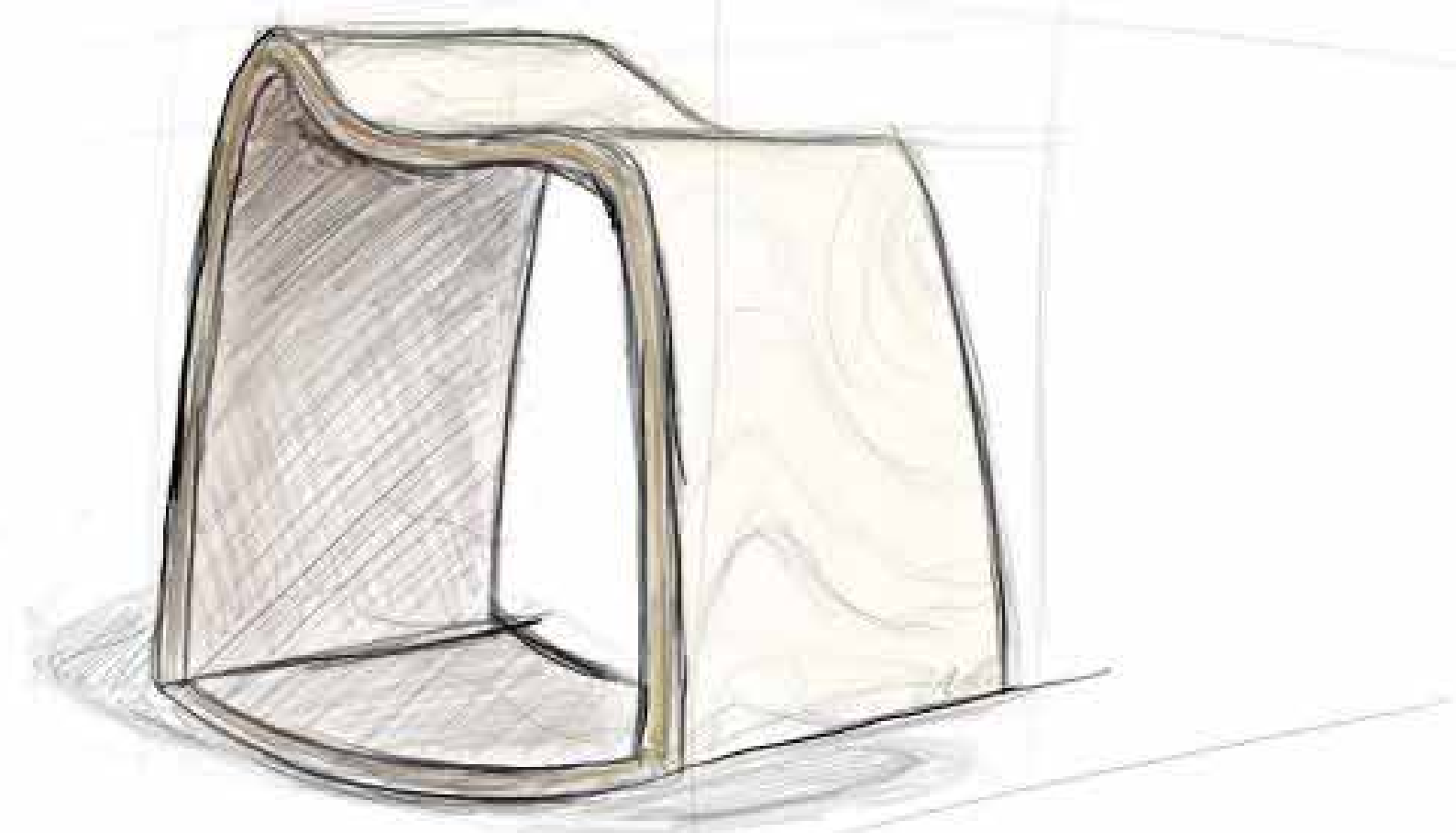
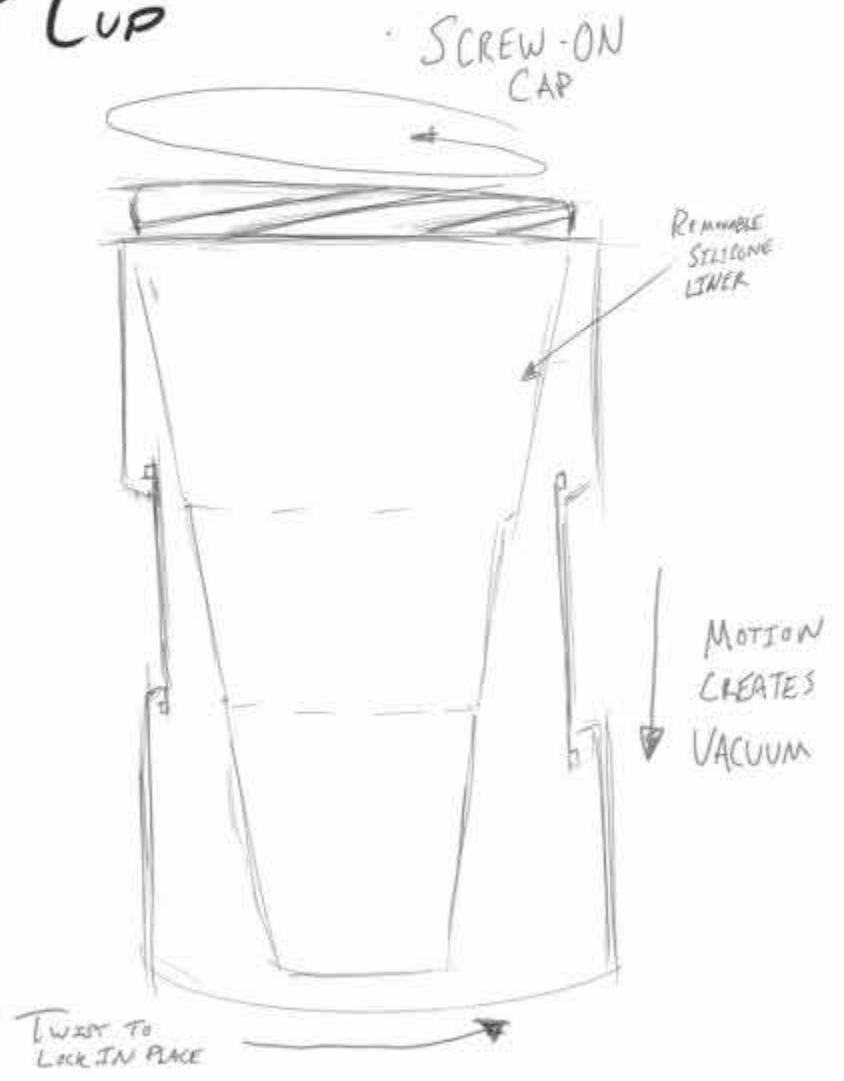
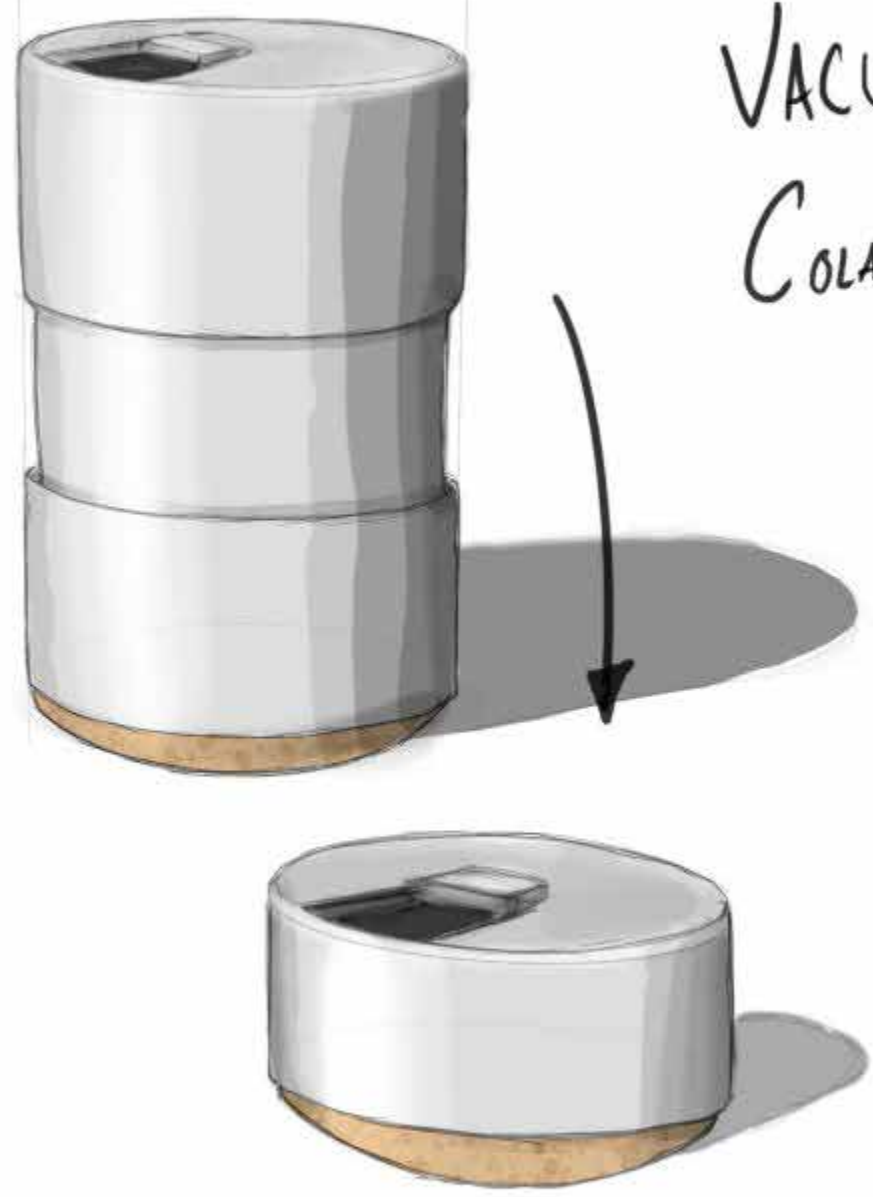


TOP

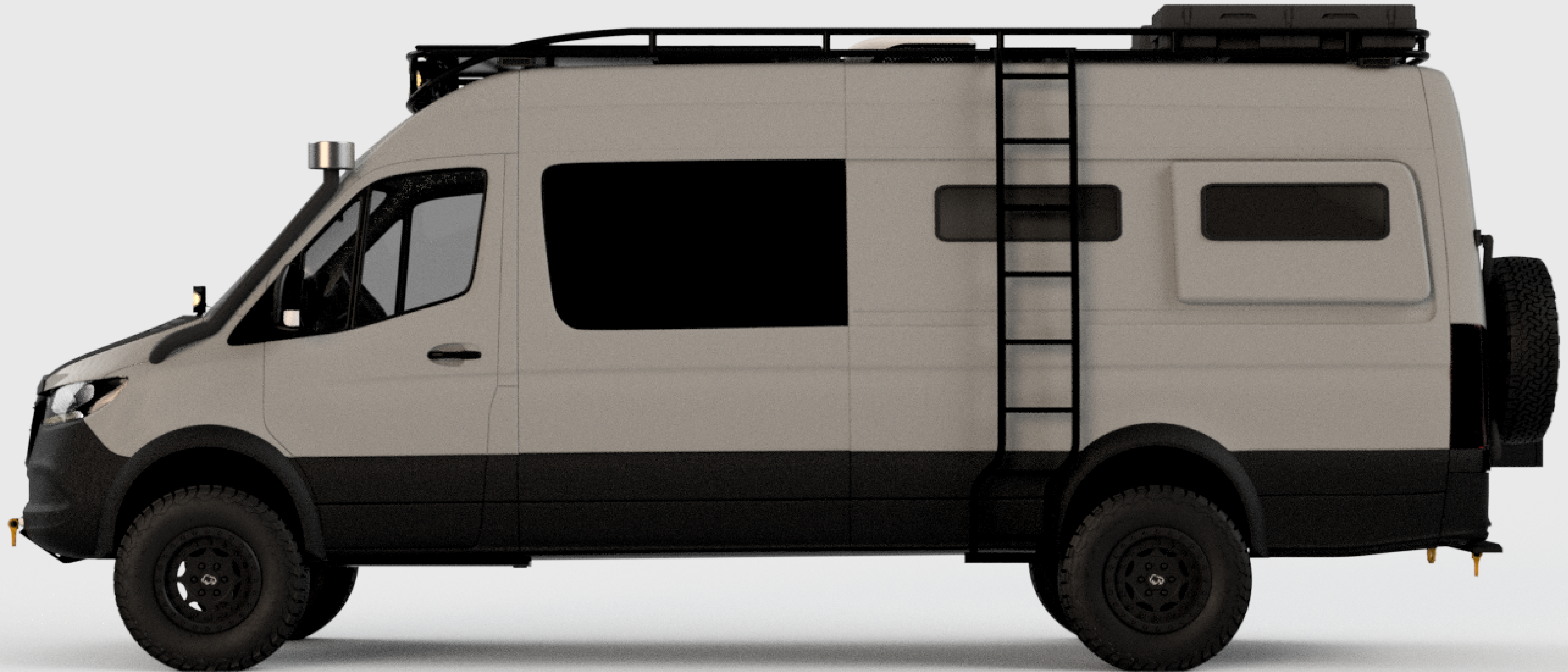


SIDE

VACUUM-SEALED COLAPSIBLE CUP

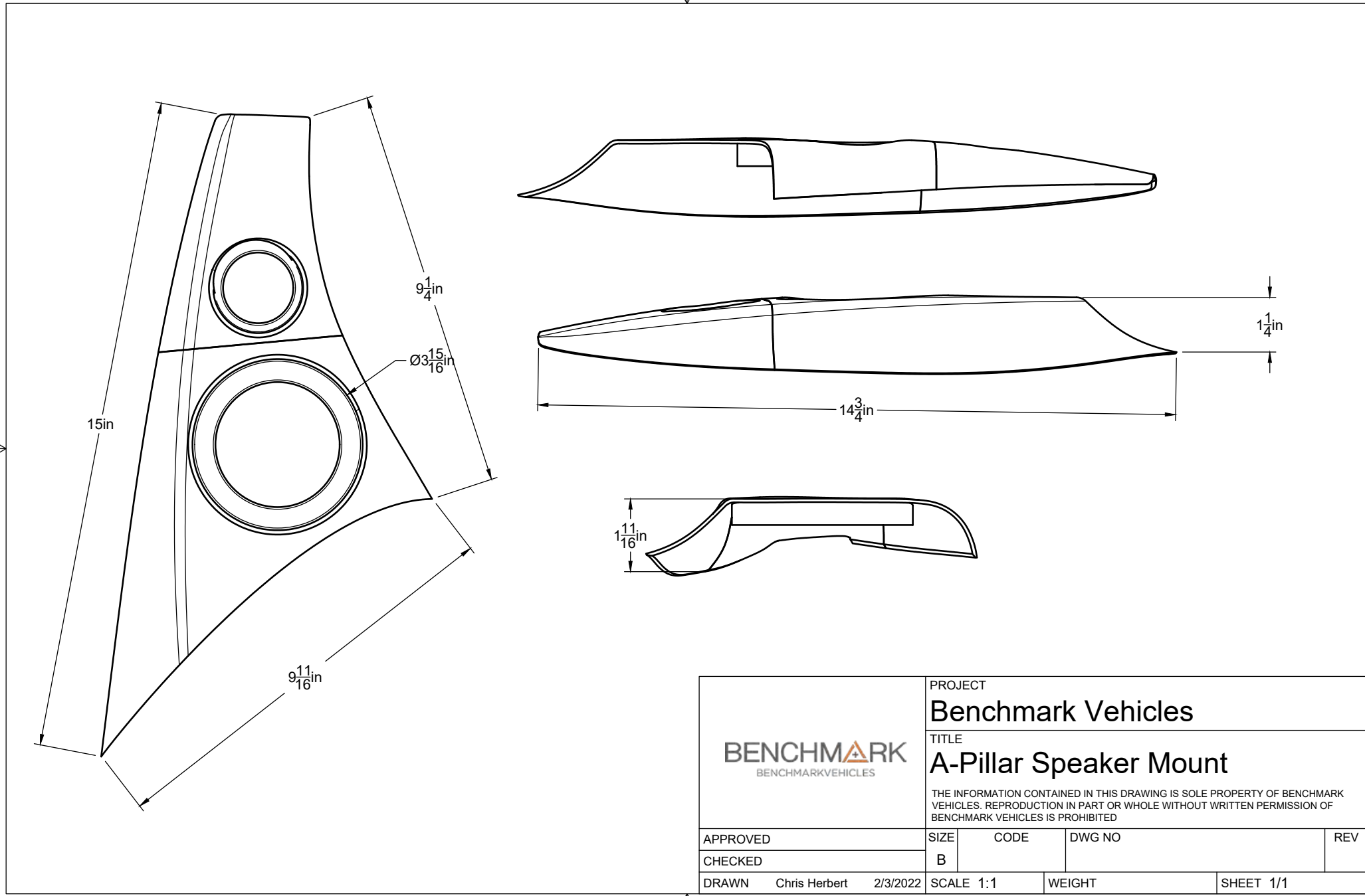
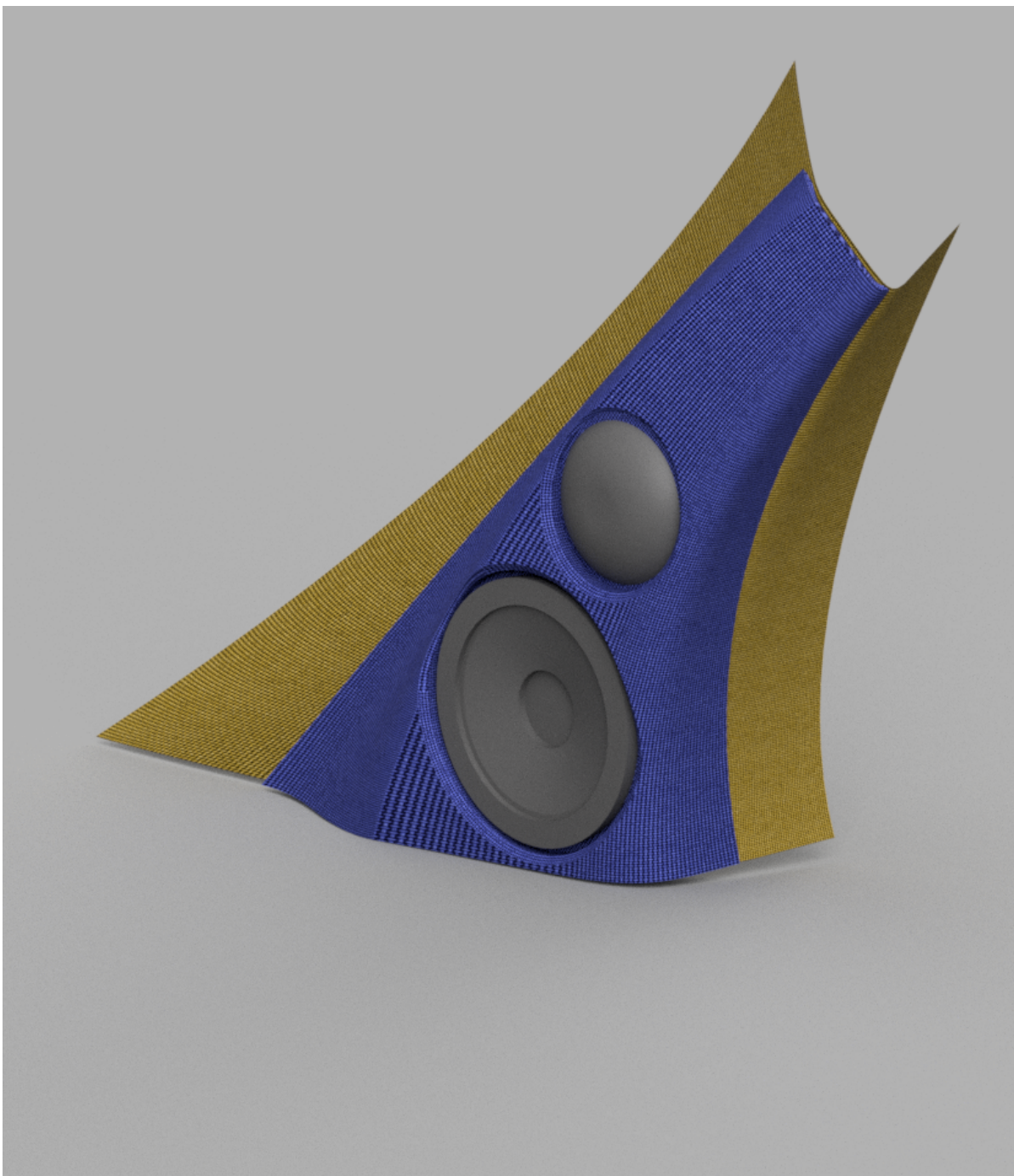


SPRINTERS



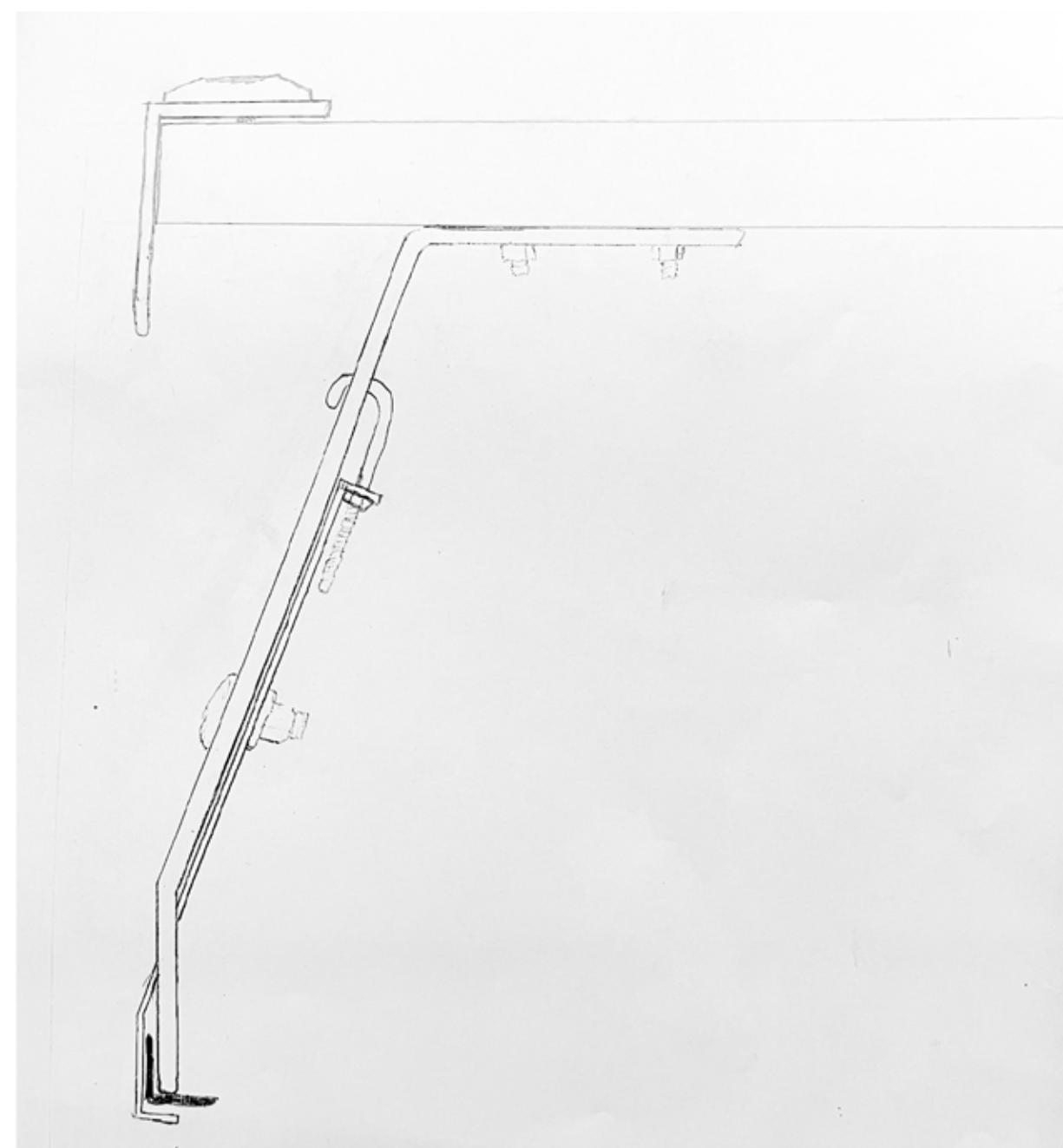
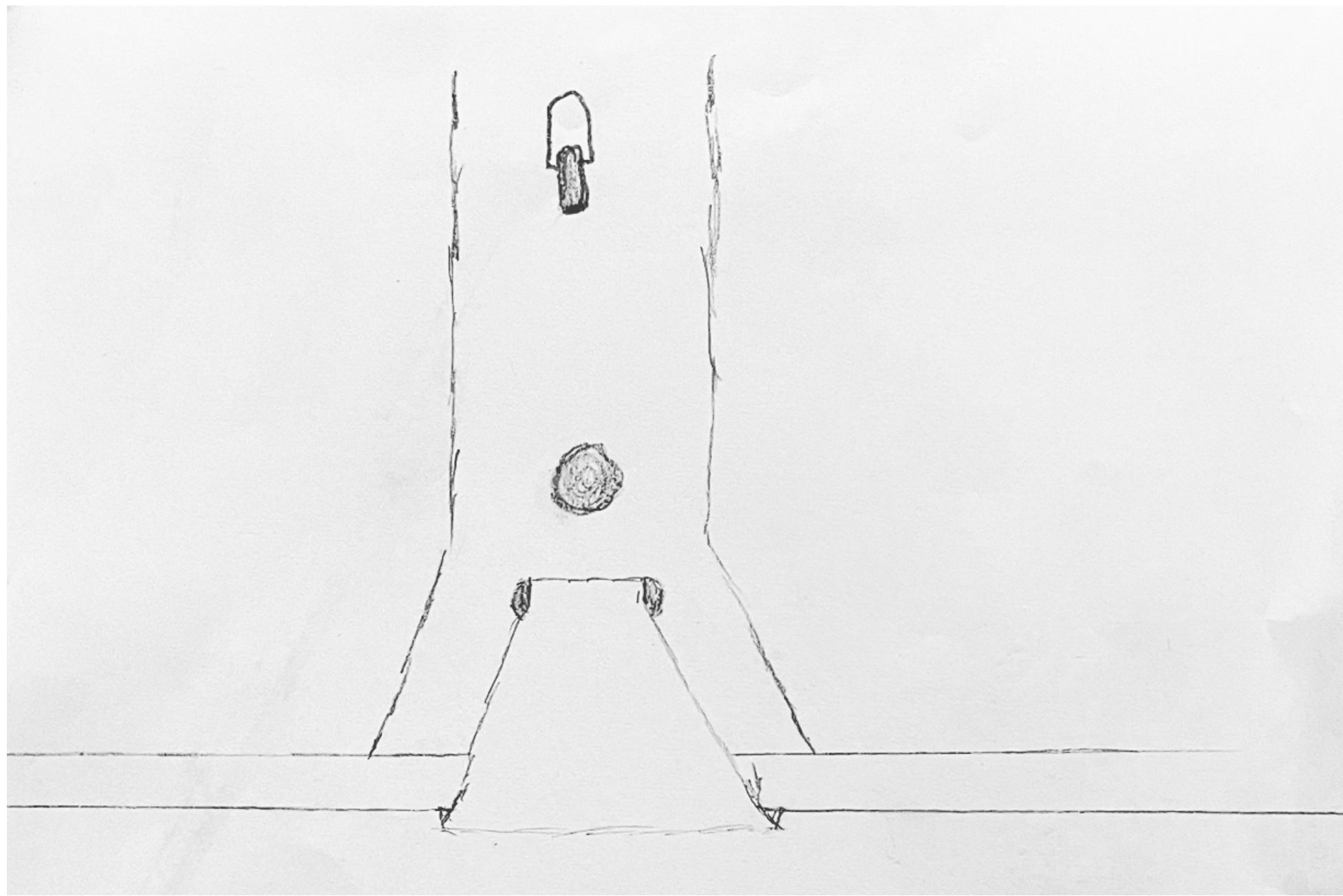




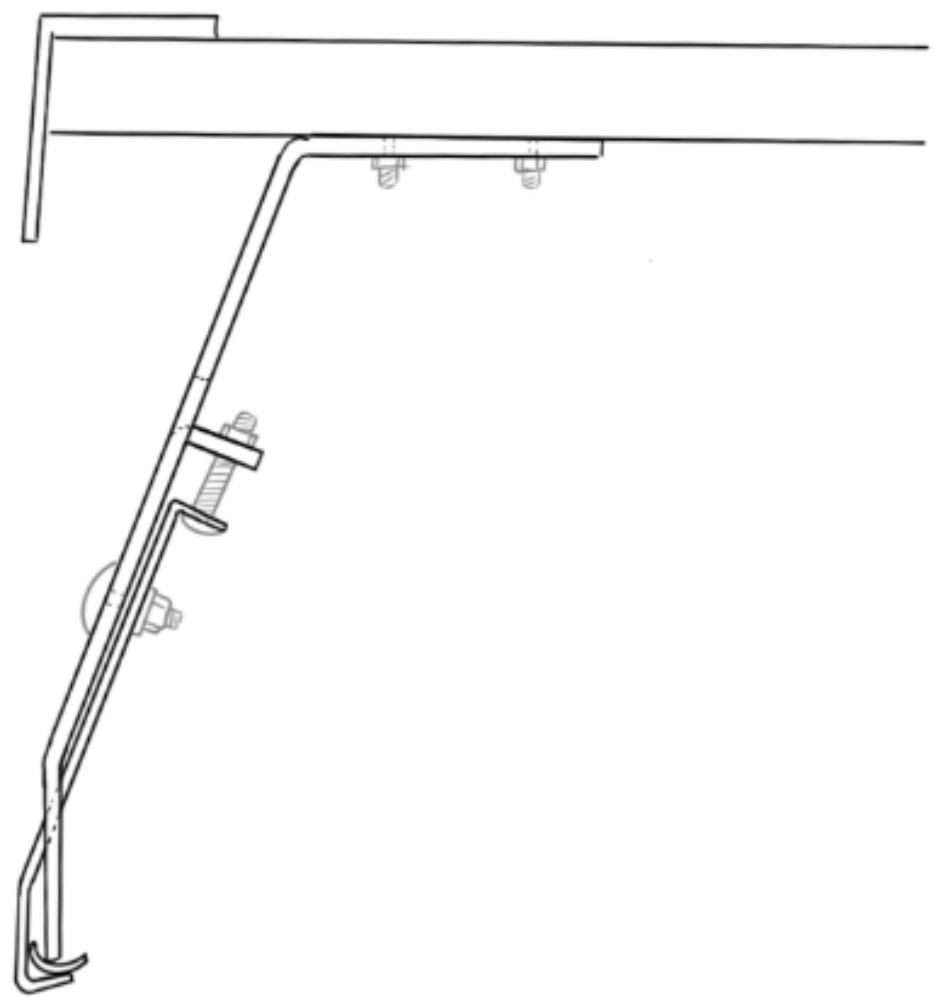


TOYOTA HIACE ROOF RACK

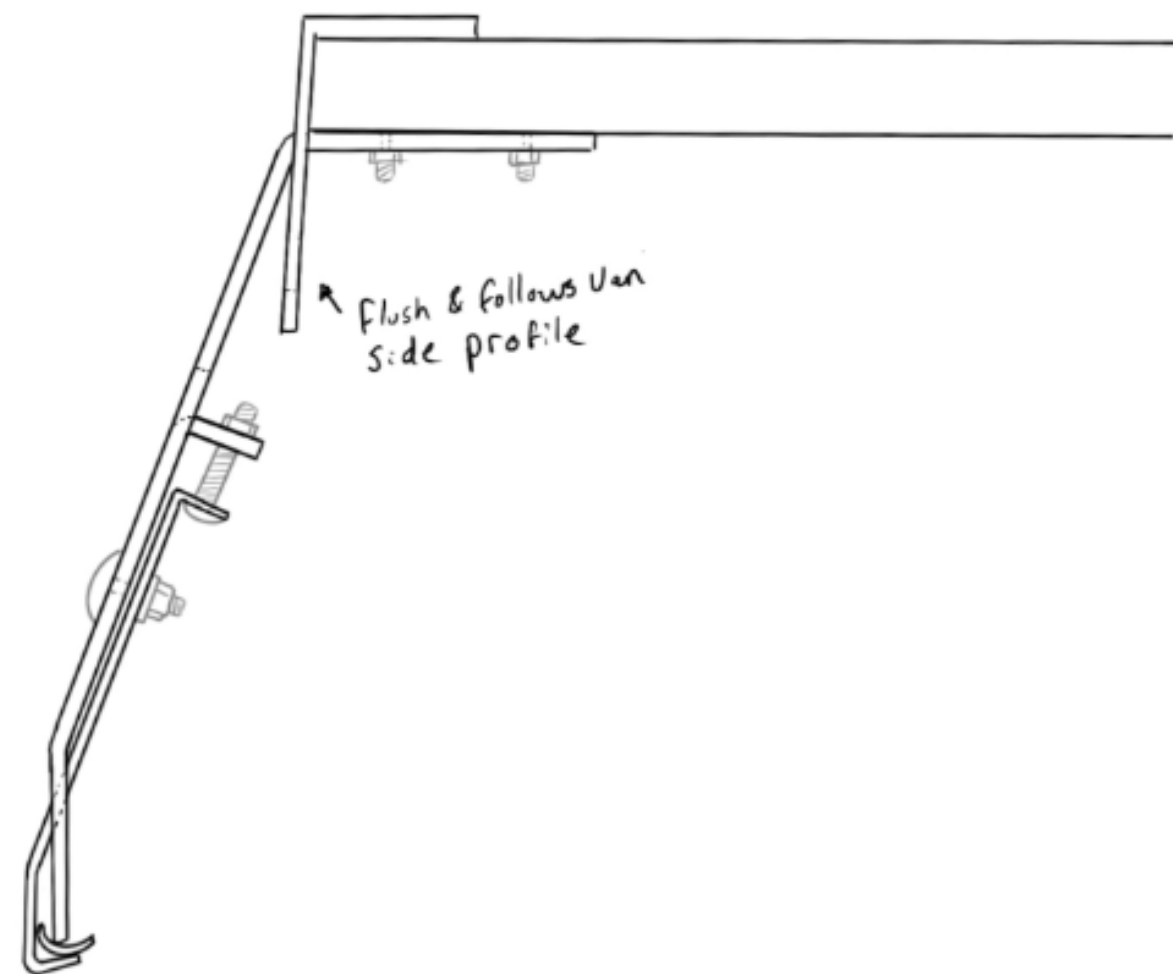




V1.1

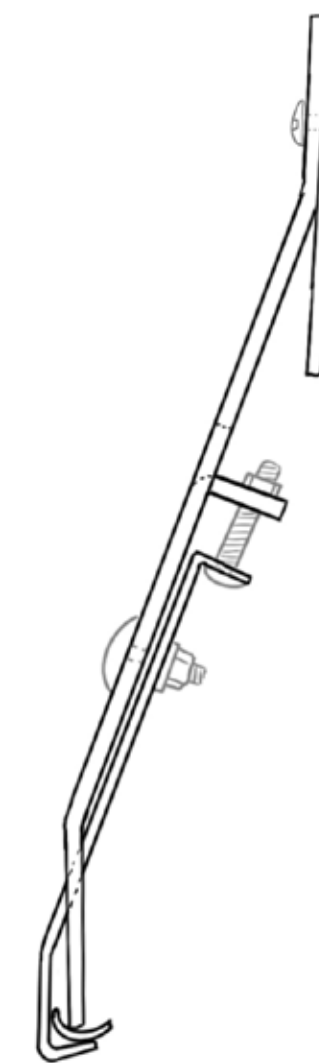


V1.2

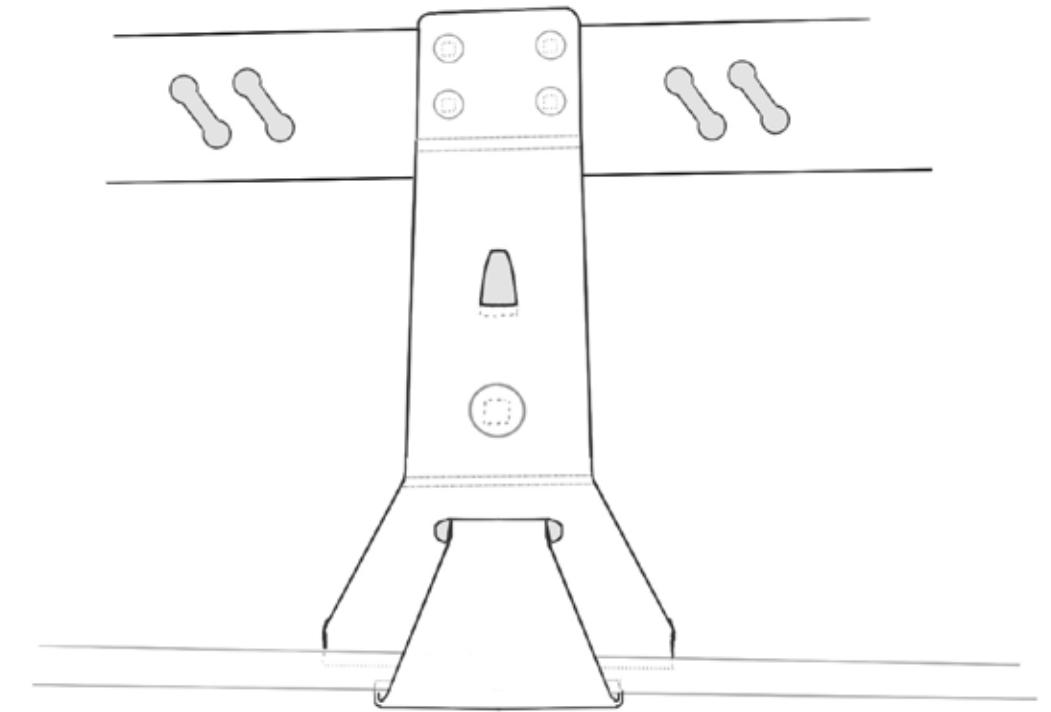


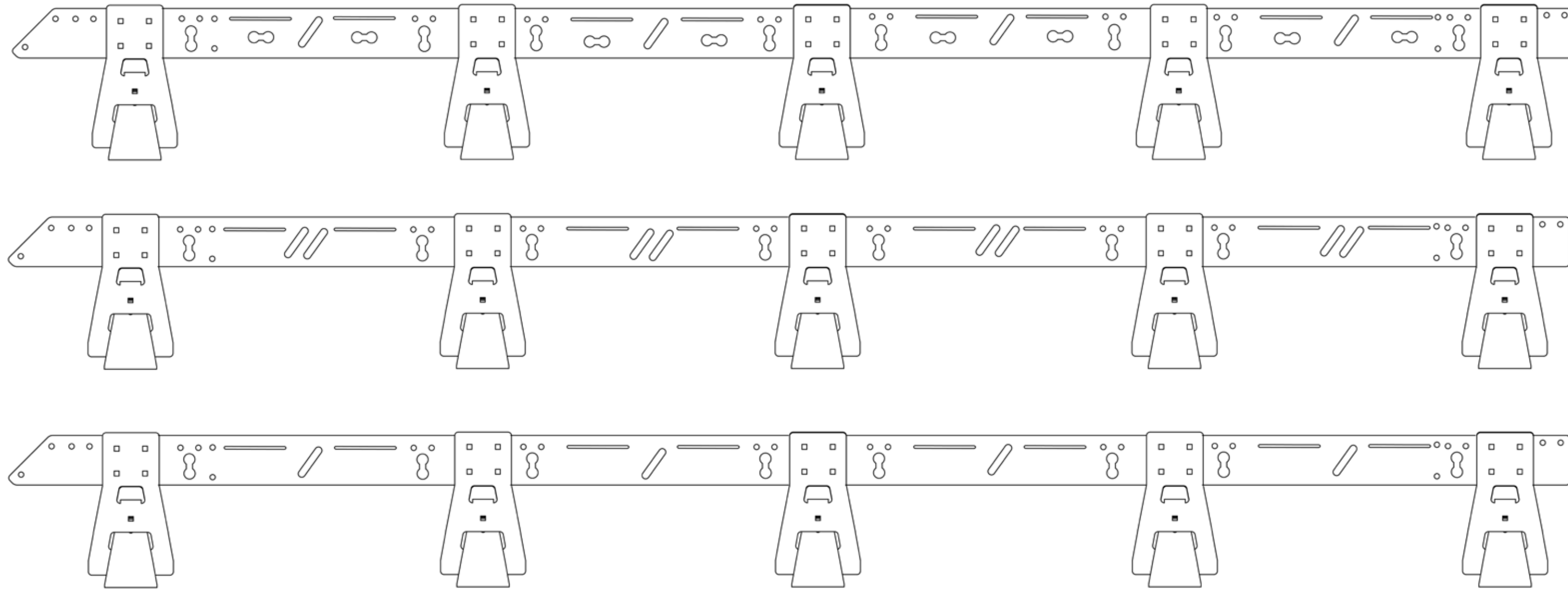
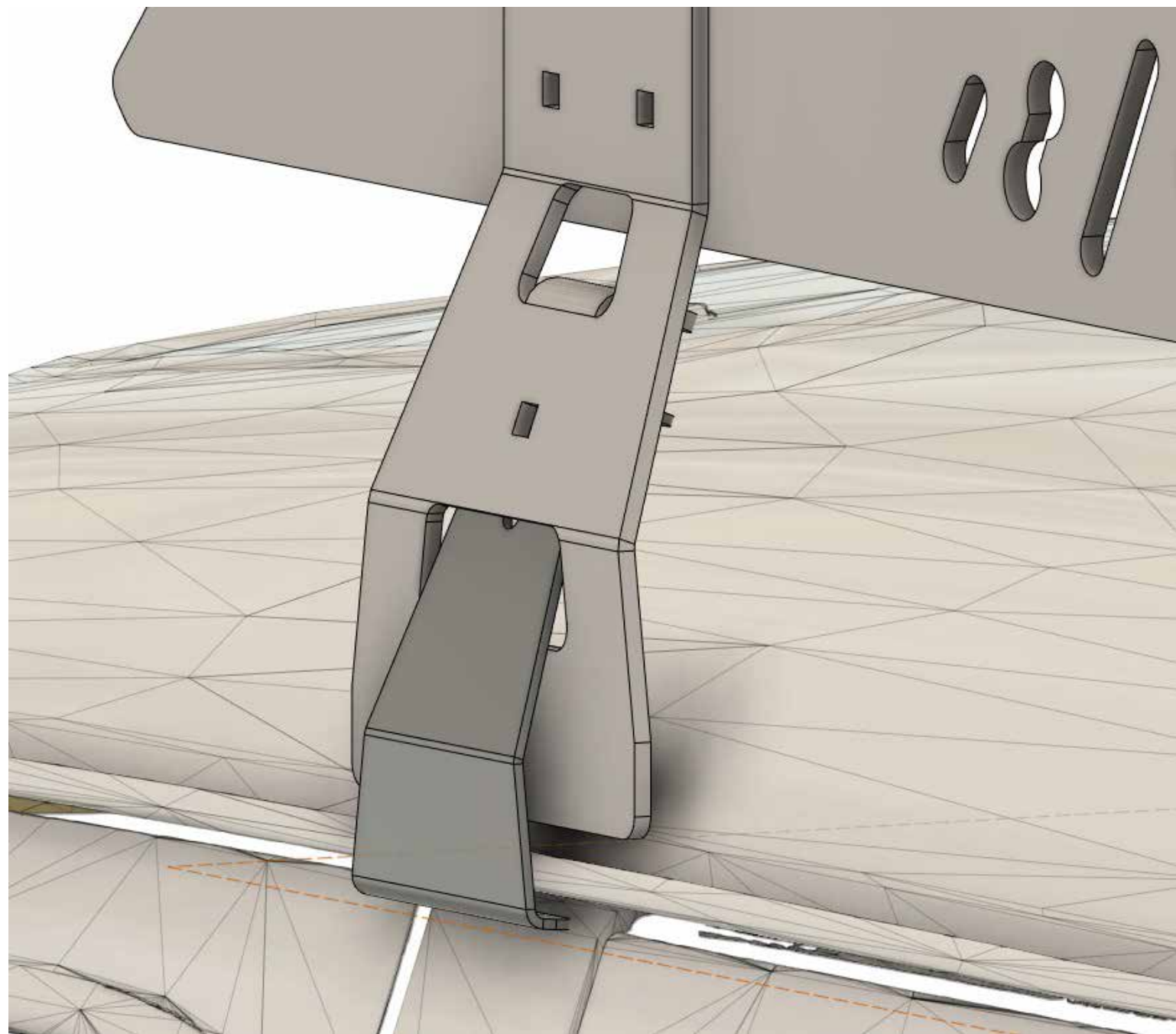
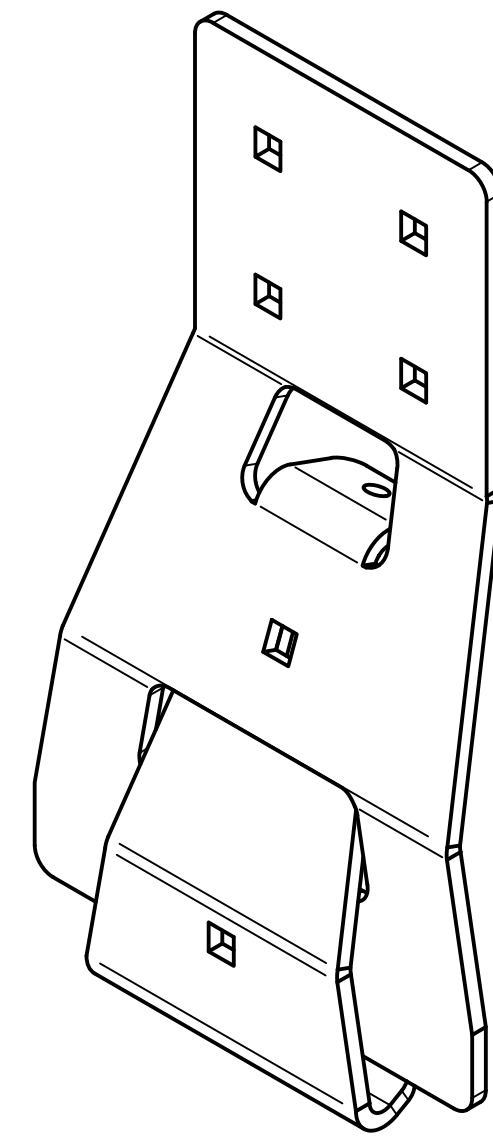
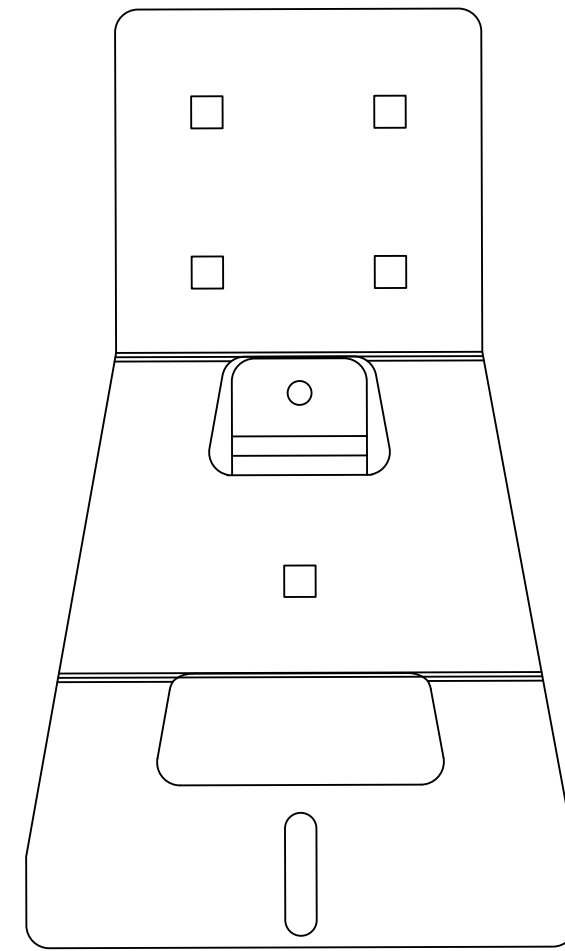
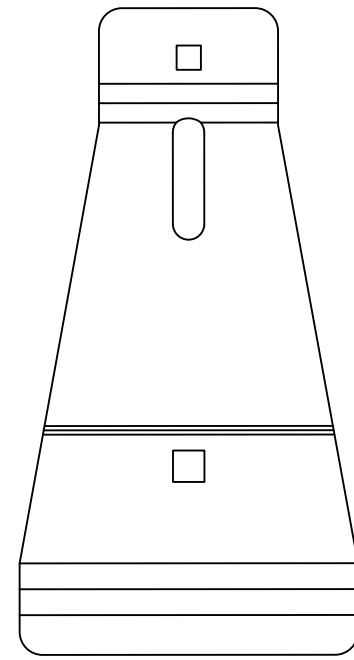
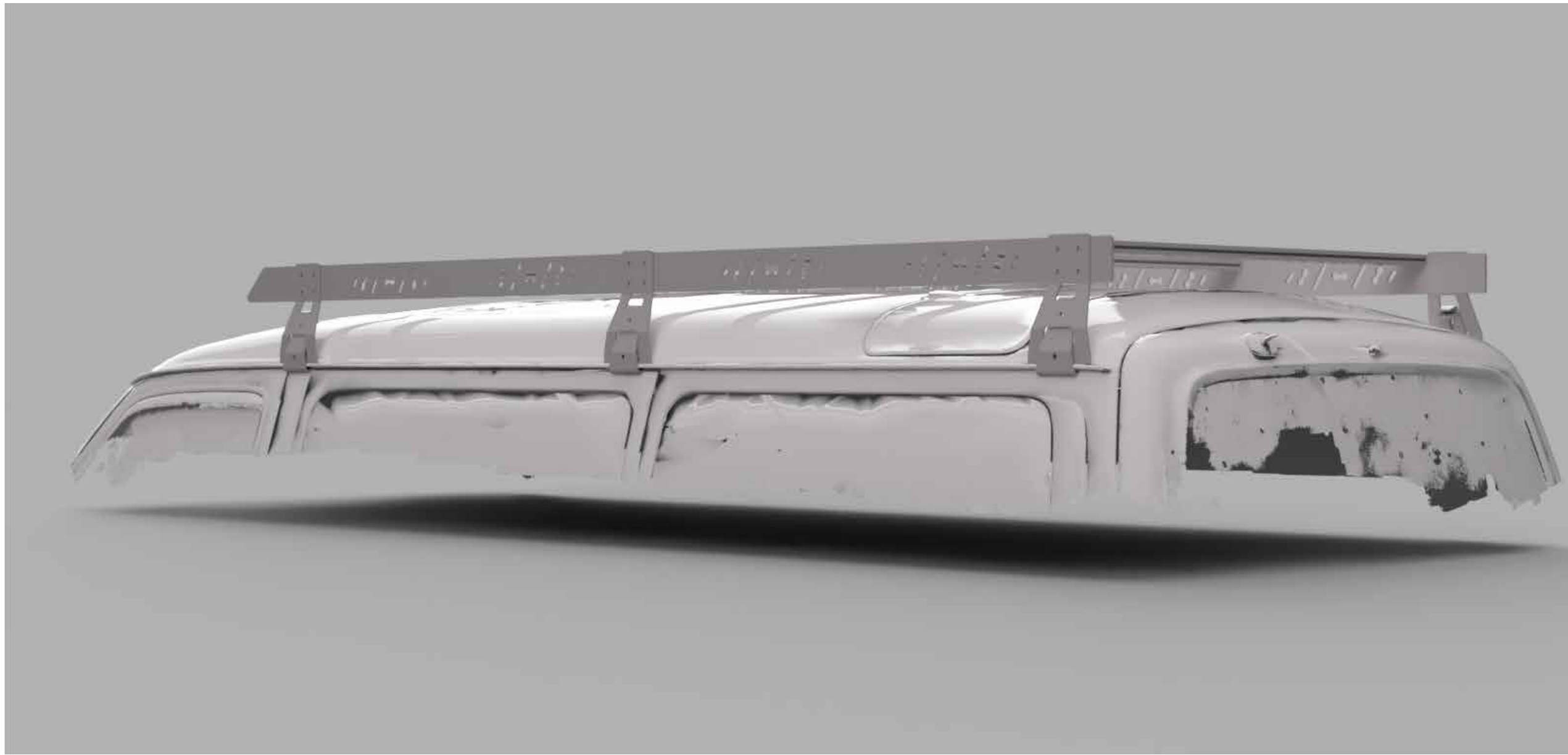
REAR VIEW

V1.5



SIDE VIEW







HIACE SPACE CABIN



